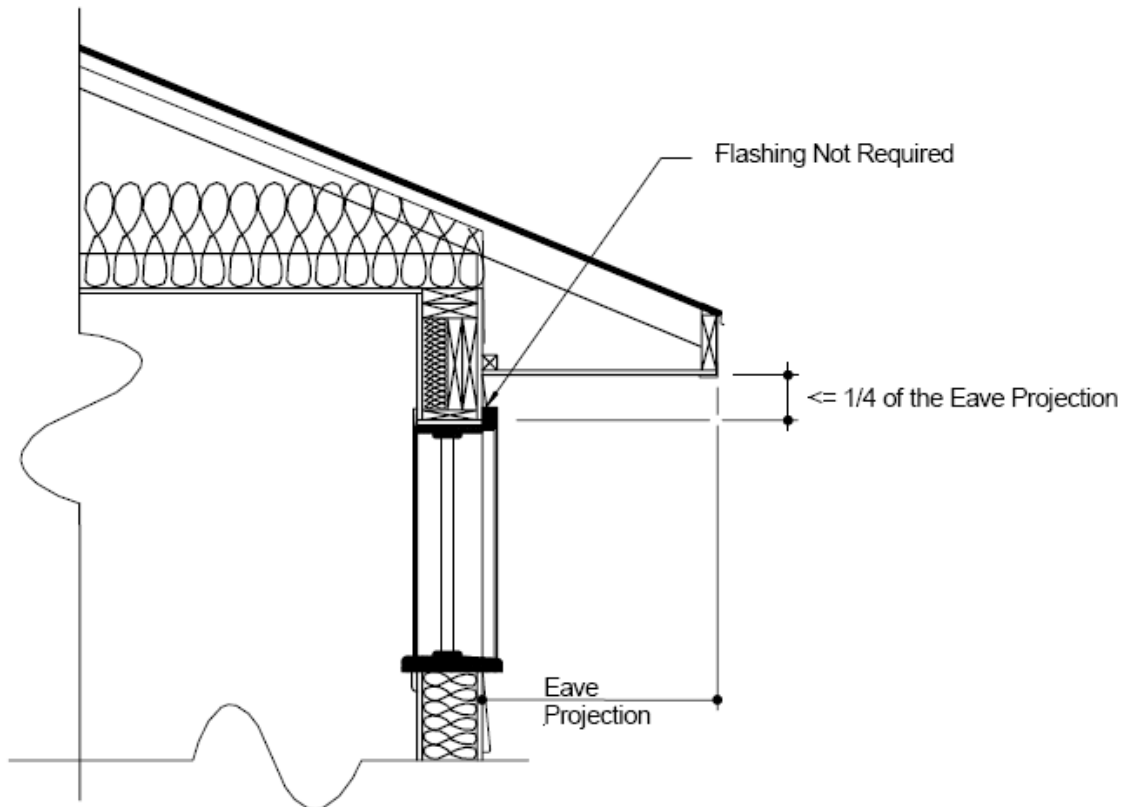


What are the requirements for flashing in exterior walls?

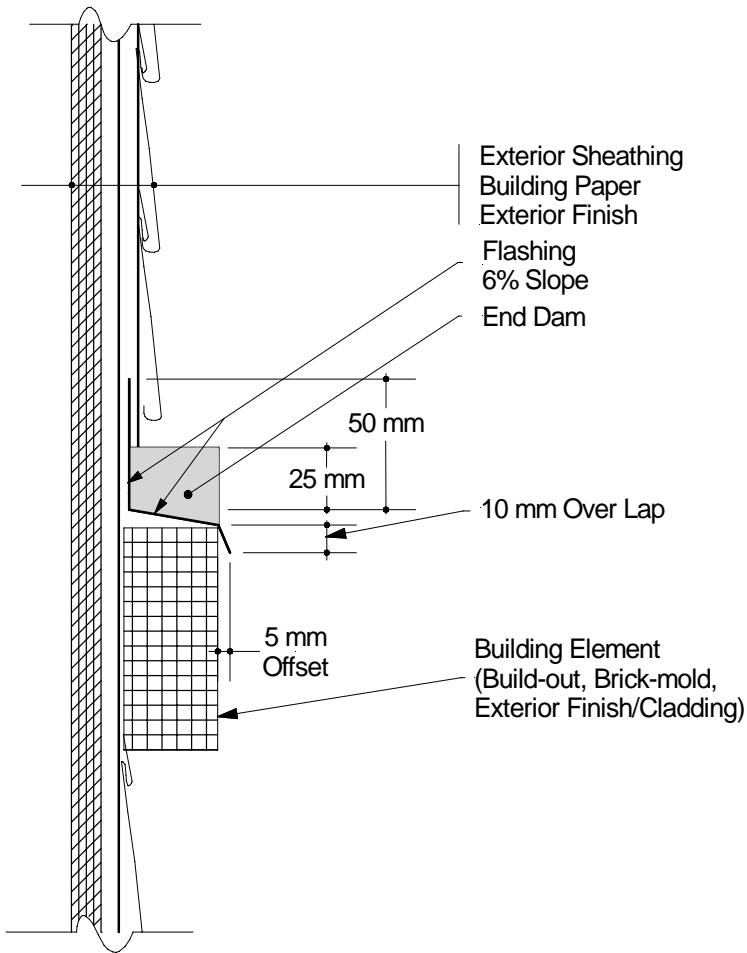
The Alberta Building Code 2006 has expanded on the requirements for flashing on the exterior of a building. Flashing is required in the following locations:

- Openings in the exterior wall for building services such as exhaust and air intake openings.
- Locations where one particular type of cladding is located above another type of cladding. An example would be vertical siding located above horizontal siding. The one exception is when the upper cladding overlaps the lower cladding by at least 25 mm.
- Windows and doors.

Flashing must be installed above and below windows, doors and any other penetration through the cladding. When there are horizontal changes in cladding it must be installed between changes in cladding. The exception to this is when an opening is no more than $\frac{1}{4}$ the horizontal distance of the eave, below the eave.



Flashing must meet the following criteria:



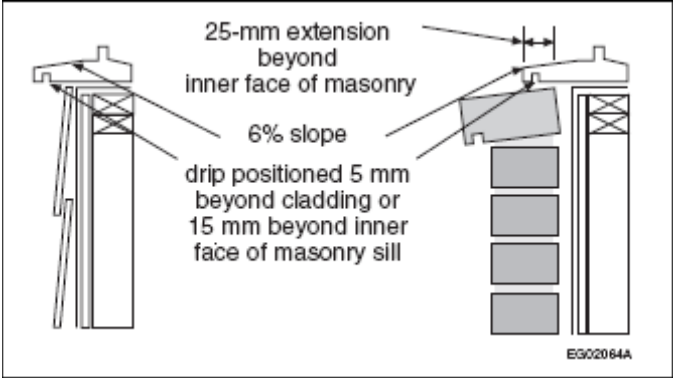
- Extend at least **50 mm** upwards
- Have a minimum **6%** positive slope
- Have **end-dams** not less than **25mm** high
- Lap** a minimum of **10mm** vertically over the building element below
- Terminate with a **drip** that extends at least **5mm out from the face of the building element**

Example of flashing with an end-dam above an electrical box



Where the sills of windows and door installed in exterior walls are **not** self-flashing, flashing shall be installed between the underside of the window or door and the wall construction below.

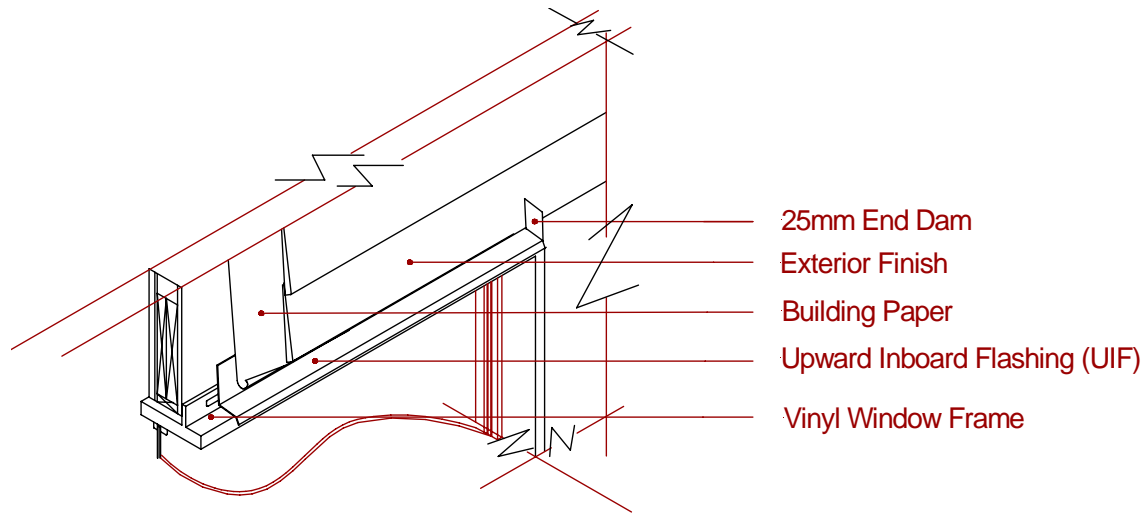
Examples of self flashing sills



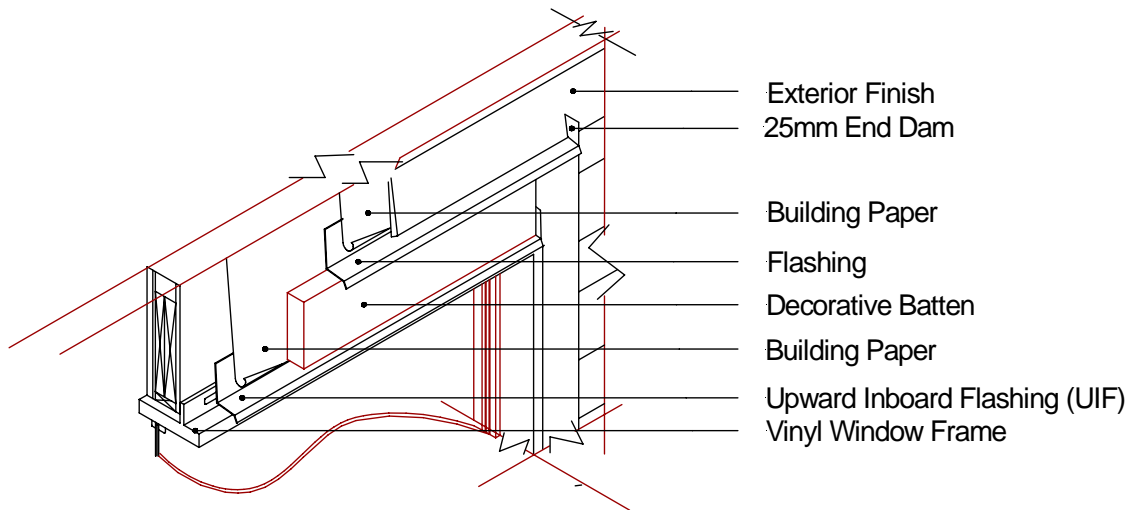
Example of flashing installed between the underside of the window or door and wall construction below.



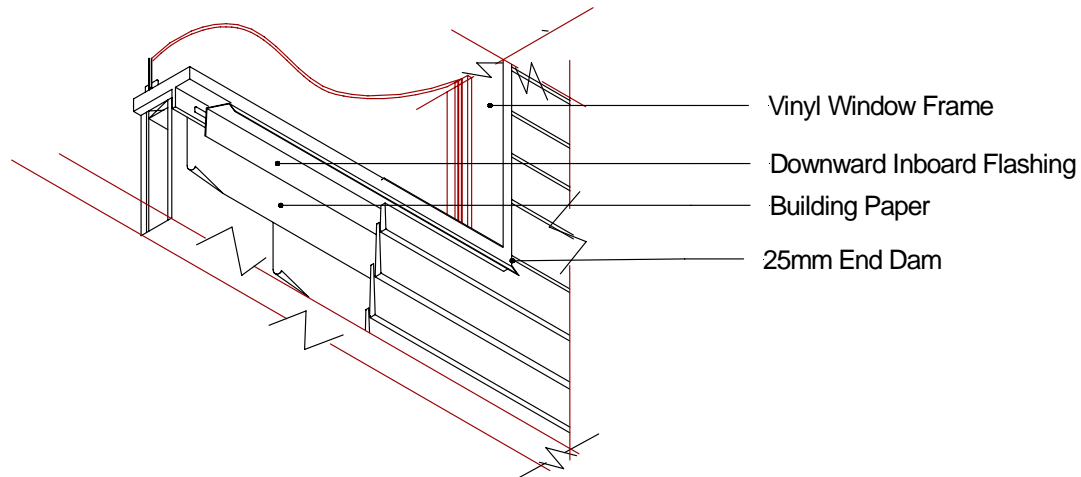
Examples of flashing installation around windows



Flashing Above Window Opening

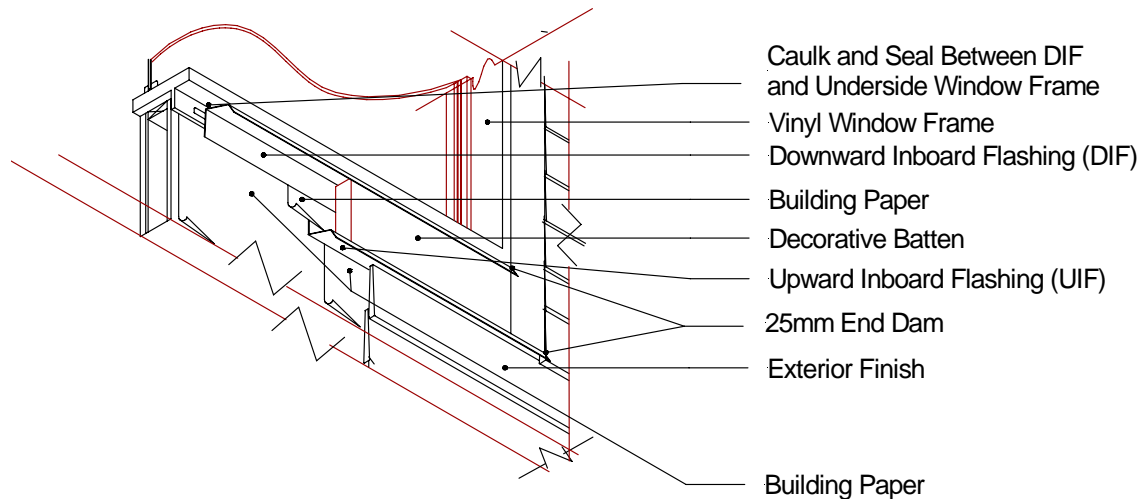


Flashing Above Window Opening With Decorative Batten



- Vinyl Window Frame
- Downward Inboard Flashing
- Building Paper
- 25mm End Dam

Flashing Below Window Opening



- Caulk and Seal Between DIF and Underside Window Frame
- Vinyl Window Frame
- Downward Inboard Flashing (DIF)
- Building Paper
- Decorative Batten
- Upward Inboard Flashing (UIF)
- 25mm End Dam
- Exterior Finish
- Building Paper

Flashing Below Window Opening With Decorative Batten

Always contact the local authority having jurisdiction prior to any construction activity and ensure your project complies with Alberta Safety Codes and local bylaws. Local authority and permit information may be accessed on our website at [Permit Information](#).

If you require further information please contact Safety Services at:

Telephone: 1-866-421-6929
 Email: safety.services@gov.ab.ca

www.municipalaffairs.alberta.ca